



# MODEL 73

## Sump Pump



**Zoeller Family of Water Solutions™**

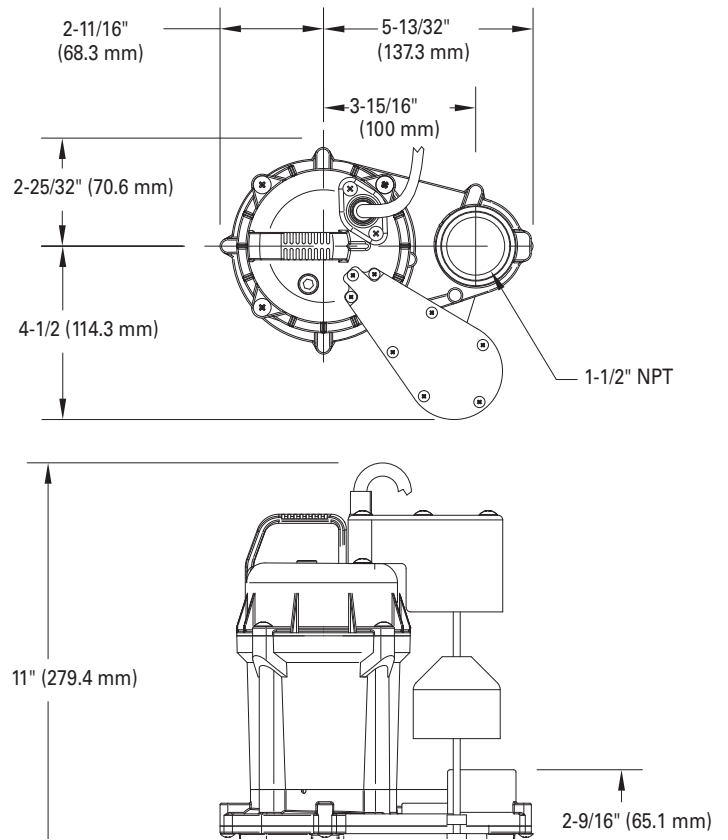
Copyright Zoeller Co. All rights reserved.

## Features:

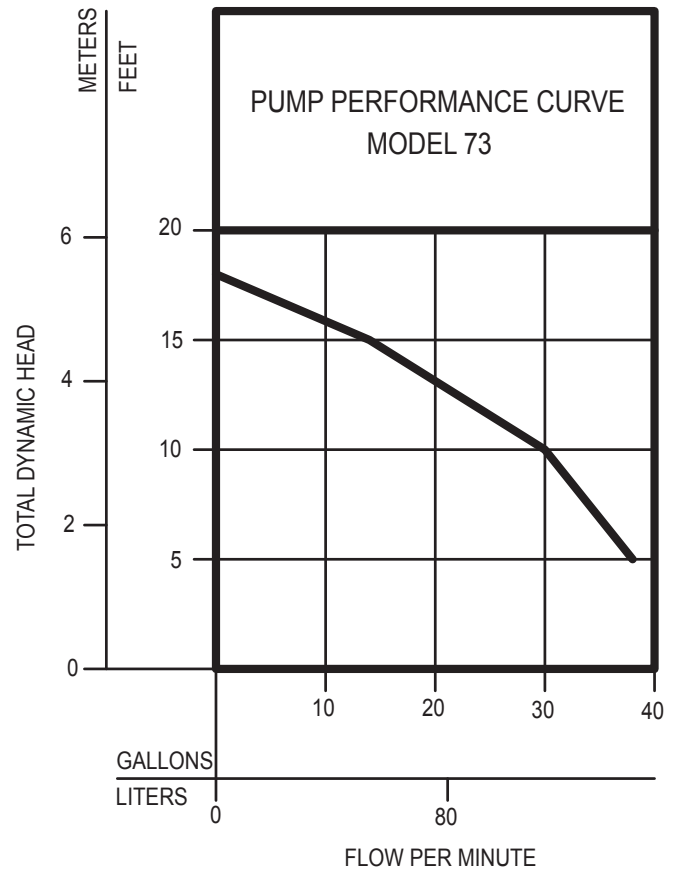
- Energy saving product
- 2-year warranty
- Reliable integrated vertical switch
- 1/3 HP 115 V sump pump
- Performance up to 18' (5.5 m) TDH
- Flows up to 38 GPM (144 LPM)
- Rugged cast iron motor housing
- Engineered plastic base
- Corrosion-resistant, powder coated epoxy paint

### PRODUCT SPECIFICATIONS

|                  |                      |                                    |
|------------------|----------------------|------------------------------------|
| <b>MOTOR</b>     | Horse Power          | 1/3                                |
|                  | Voltage              | 115                                |
|                  | Phase                | 1 Ph                               |
|                  | Hertz                | 60 Hz                              |
|                  | RPM                  | 3450                               |
|                  | Type                 | Permanent split capacitor          |
|                  | Insulation           | Class B                            |
|                  | Amps                 | 5.5                                |
| <b>PUMP</b>      | Operation            | Automatic                          |
|                  | Auto On/Off Points   | 6-1/2" (16.5 cm) / 2-1/2" (6.3 cm) |
|                  | Discharge Size       | 1-1/2" NPT                         |
|                  | Solids Handling      | 3/8" (9 mm) spherical solids       |
|                  | Cord Length          | 9'                                 |
|                  | Cord Type            | UL listed with 3 prong plug        |
|                  | Max. Head            | 18' (5.5 m)                        |
|                  | Max. Flow Rate       | 38 GPM (144 LPM)                   |
|                  | Max. Operating Temp. | 104 °F (40 °C)                     |
|                  | Cooling              | Oil filled                         |
|                  | Motor Protection     | Auto reset thermal overload        |
|                  | <b>MATERIALS</b>     | Motor Housing                      |
| Pump Housing     |                      | Engineered plastic                 |
| Base             |                      | Engineered plastic                 |
| Upper Bearing    |                      | Ball bearing                       |
| Lower Bearing    |                      | Ball bearing                       |
| Mechanical Seals |                      | Carbon and ceramic                 |
| Impeller Type    |                      | Non-clogging vortex                |
| Impeller         |                      | Engineered plastic                 |
| Hardware         |                      | Stainless steel                    |
| Motor Shaft      |                      | 410 stainless steel                |
| Gasket           |                      | NBR                                |



SK3021



#### CAUTION

All installation of controls, protection devices and wiring should be done by a qualified licensed electrician. All electrical and safety codes should be followed including the most recent National Electrical Code (NEC) and the Occupational Safety and Health Act (OSHA).