

AprilAire®

Dehumidifier

SPECIFICATION SHEET

Model E070W

Wi-Fi Dehumidifier

FEATURES

- Wi-Fi enabled digital control with color graphical display. Can be set up for dehumidification with the option of ventilation.
- Front mount control
- ½" EPS cabinet insulation
- Air discharge orientation at end of cabinet
- Washable MERV 8 filter (part number 5695) and 8" diameter inlet/outlet duct collars
- R32 refrigerant
- Corrosion-resistant aluminum coils
- 8' power cord (plug type); hardwire option not available
- 10°F–30°F discharge air temperature rise
- ¾" MNPT Threaded drain connection with adapters for threaded connection for plastic hose included
- Remote access and control over Wi-Fi
- 10' drain tubing
- 5-year warranty



SPECIFICATIONS

| | | |
|--|--|--|
| Capacity | @ 80°F/60% RH @73°F/60% RH | 70 ppd 53 ppd |
| Energy Factor kW-h | @ 80°F/60% RH @ 73°F/60% RH | 2.1 L/kW-h 1.8 L/KW-h |
| Airflow @ varying E.S.P. (external static pressure - dry coil) | 0.0" w.c. 0.2" w.c. 0.4" w.c. | 200 CFM 170 CFM 140 CFM |
| Voltage, phase, frequency | 120VAC, 1 phase, 60 Hz | |
| Current draw⁽¹⁾ | 5.4 Amps | |
| Noise | 53 dBA ducted | |
| Wi-Fi | Yes | |
| Dimensions (cabinet only)⁽⁴⁾ | Width: 12½", Height: 12½", Length: 25" | |
| Unit Weight Shipping Weight | 56 lbs. 72 lbs. | |
| Inlet air operating conditions during | Dehumidification: | 50°F–104°F, 40°F dew point min. |
| | Ventilation: | 40°F–140°F, 0%–99% RH (non-condensing) |

PRINCIPLE OF OPERATION

The AprilAire Model E070W Wi-Fi Dehumidifier features Wi-Fi enabled technology which offers easy installation, setup, and pairing. Maintenance is made easy through reliable monitoring and enhanced product support. This allows for best-in-class user experience to solve moisture and high humidity.

The AprilAire E070W Crawl Space Wi-Fi Dehumidifier is designed to dehumidify the air coming into the unit by passing the incoming air over an evaporator coil to drop the air temperature below the dew point of the air. Moisture is removed from the air and drained out of the unit to a common floor or waste drain. The air is then reheated in the condenser coil and exits the unit.

Dehumidification occurs until the set point is reached, then shuts off until periodic sampling determines a need for operation.

APPLICATION

The E070W Dehumidifier is the perfect solution for controlling humidity in crawl spaces; protecting against structural damage, pests and mold.

The AprilAire Model E070W Wi-Fi Dehumidifier offers:

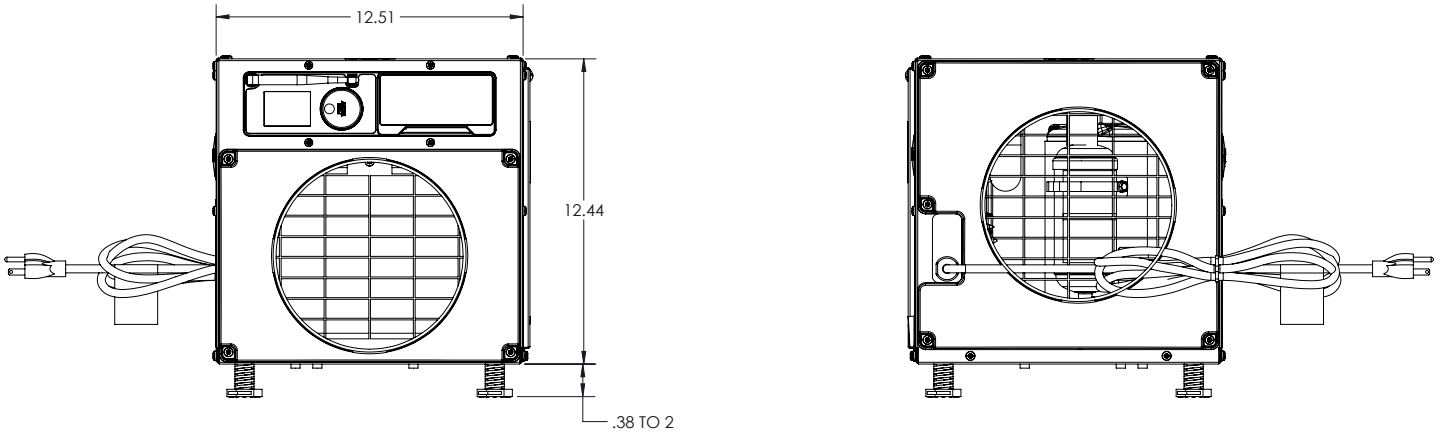
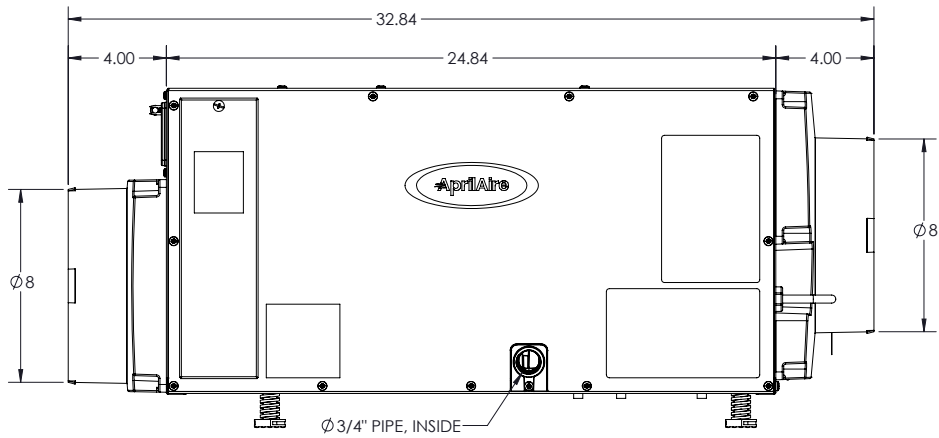
- Turn-Key Provisioning: Built-in control w/bluetooth
- Intuitive Controls: Enhanced, digital interface and app integration for ongoing monitoring and maintenance
- Integration with AprilAire Healthy Air App for alerts, diagnosis, and updates

CIRCULATION

The E070W can also be programmed to circulate the air within a crawl space. Circulating the air evens out relative humidity levels and temperature in the space, eliminating variations in the environment.

⁽¹⁾Rated capacity, energy factor and current draw measured at 80°F/60% RH inlet air at 0.0 ESP.

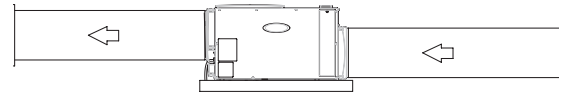
⁽⁴⁾Height does not include adjustable feet. The width excludes the filter doors and length excludes the duct collars.



INSTALL APPLICATION

Inlet and Outlet ducted

- Ducted with 8" flex duct or hard pipe.
- Helps circulate air to equalize humidity and temperature in the space.
- Can be used with the Model 5822 Hanging Kit for installations that require the unit to be off the floor.



OPTIONAL ACCESSORIES



Model 4856 Condensate Pump

- 22 ft. lift
- Low profile
- 120 V



Model 5958 Condensate Pump Bracket

- Intuitive rail system
- No additional screws
- Threaded drain elbow



Model 5822 Hanging Kit

- Simple pulley system installation
- Weight: 2.3 lbs.
- Supports 200 lbs.

OPTIONAL COMPATIBLE CONTROLS



Model S86WMUPR

- Color Graphical Display
- Real Language Setup
- Capacitive Touch Interface
- Programmable & Non-Programmable
- Dual Fuel Capable
- Air filter and HVAC Service Reminders
- High & Low Balance Point with Outdoor Temperature Sensor
- Geofencing Capabilities



Model 8920W with IAQ Control

- Universal 3H/3C or 4H/2C HP
- Event-Based™ Air Cleaning
- Humidity and Ventilation
- 2-Part 3-Wire design
- Full-color touch screen
- Wi-Fi